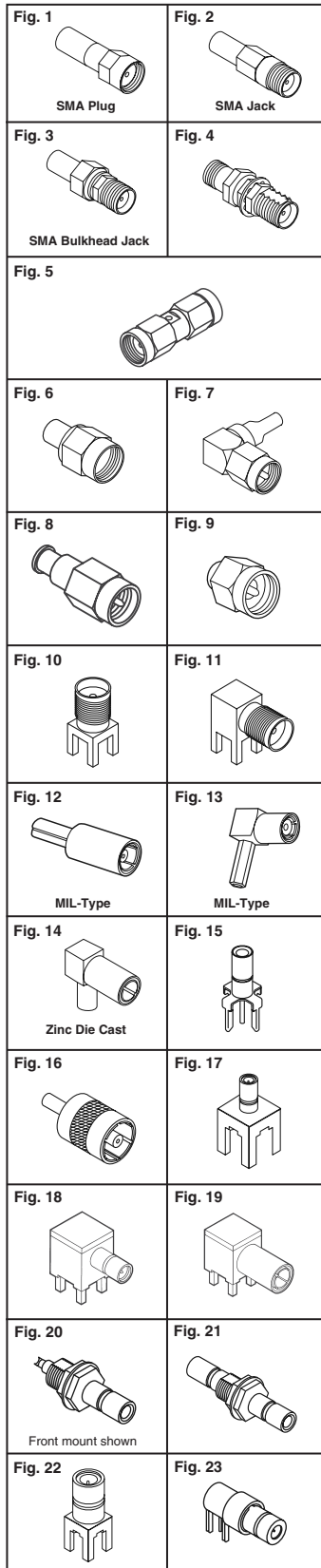


A



RF Connectors

SMA Crimp Connectors

A9966-ND Hand Crimp Tool, without Dies.....\$1800.00

Fig.	Description	Cable Group RG/U	Digi-Key Part No.	Price Each 1	25	AMP Part No.	Die Set	Price Each	Locator Plug*	Price Each
1	Plug, Hex Crimp, Brass, Nickel Plated	142, 142A, 142B	A4010-ND	4.28	3.68	447647-2	—	—	—	—
	Plug, Hex Crimp, Brass, Nickel Plated	174, 174A, 188, 188A, 316	A4011-ND	4.10	3.53	447647-3	—	—	—	—
	Plug, Hex Crimp, Brass, Nickel Plated	Belden YR20621	A24676-ND	5.33	4.58	1-447647-1	—	—	—	—
2	Jack, Hex Crimp	142	A4006-ND	11.70	10.07	447648-2	—	—	—	—
	Jack, Hex Crimp	174, 188, 316	A4007-ND	5.38	4.63	447648-3	—	—	—	—
3	Bulkhead Jack, Crimp	174, 188, 316	A4009-ND	10.68	9.19	447650-3	—	—	—	—
6	Plug, with Center Contact	405 Semi-Rigid	A4012-ND	9.33	8.02	227868-1	A9964-ND	214.76	A9961-ND	60.03
	Plug, with Center Contact	405 Semi-Rigid	A4013-ND	14.60	12.56	228639-1	A9964-ND	214.76	A9961-ND	60.03
	Short Plug, with Center Contact	405 Semi-Rigid	A24680-ND	10.78	9.27	221447-1	—	—	—	—
7	Right Angle Plug, with Center Contact	405 Semi-Rigid	A24681-ND	39.15	33.67	228583-1	A9964-ND	214.76	A9961-ND	60.03
8	Solderless Plug, with Center Contact	402 (.141)	A4014-ND	13.13	11.29	227743-1	A9965-ND	454.50	A9961-ND	60.03
	Solderless Plug, with Center Contact	402 (.141)	A4015-ND	13.13	11.29	228634-1	A9965-ND	454.50	A9961-ND	60.03
	Solderless Plug, without Center Contact	402 (.141)	A4017-ND	4.25	3.66	228635-1	A9965-ND	454.50	A9962-ND	85.98
9	Plug, Retractable Collar	402 (.141)	A4018-ND	4.83	4.15	227531-5	A9963-ND	427.50	A9962-ND	85.98

* Must use a locator with die set.

SMA Crimp Connectors for Flexible Cables

Fig.	Description	Cable Group RG/U	Digi-Key Part No.	Price Each 1	25	AMP Part No.
1	Plug, Stainless Steel, Passivated, Length: .950"	174, 188, 188A, 316	A24683-ND†	14.60	12.56	225532-4
	Plug, Stainless Steel, Passivated	17, 16	A24684-ND†	15.45	13.29	221117-2
	Plug, Stainless Steel, Passivated	179, 179A, 179B, 161, 187, 187B, Belden 922	A24685-ND†	15.40	13.25	225532-8
	Plug, Stainless Steel, Passivated	58, 58A, 58B, 58C	A24686-ND†	16.05	13.81	225532-1
3	Plug, Stainless Steel, Passivated	223, 55, 55A, 55B	A24687-ND†	16.35	14.07	1-225532-0
	Plug, Stainless Steel, Passivated	142, 142A, 142B, 400, Belden 84142	A24688-ND†	15.23	13.10	225532-3
3	Bulkhead Jack, Stainless Steel, Passivated	174, 188, 188A, 316	A24689-ND	31.53	27.12	225608-4
4	Bulkhead Jack Adapter (Jack-Jack)	—	A24690-ND	19.48	16.75	221643-1
	Bulkhead Jack Adapter (Jack-Jack)	—	A30048-ND	17.63	15.16	1054868-1
	Bulkhead Jack Adapter (Jack-Jack)	—	A30049-ND	15.95	13.72	1054869-1
5	Bulkhead Adapter (Plug-Plug)	—	A30044-ND	16.38	14.09	1053635-1
	Bulkhead Adapter (Plug-Plug)	—	A30045-ND	20.33	17.48	1053634-1

† Mil Type

SMA PC Board Connectors

Fig.	Description	Body Finish and Plating	Digi-Key Part No.	Price Each 1	25	AMP Part No.
10	Vertical Jack	Brass and Gold	A24691-ND	7.45	6.41	221789-1
	Vertical Jack	Gold and Gold	A30046-ND	11.38	9.79	1053354-1
11	Right Angle Jack	Stainless Steel and Gold	A24692-ND	15.98	13.74	221790-1
	Right Angle Jack	Gold and Gold	A30047-ND	12.33	10.60	1053378-1

SMB Connectors Center Contact: Gold

Fig.	Description	Style	Cable Group RG/U	Digi-Key Part No.	Price Each 1	25	AMP Part No.
50 Ohm							
12	Plug, Gold	Mil Type	178, 178A, 178B, 196, 196A	A4020-ND††	9.18	7.90	413985-5
	Plug, Nickel	Mil Type	—	A4021-ND††	5.25	4.52	413985-6
	Plug, Gold	Mil Type	174, 316, 188, 188A	A4026-ND††	6.25	5.38	413985-1
	Plug, Nickel	Mil Type	—	A4027-ND††	5.48	4.71	413985-3
	Plug, Nickel	Mil Type	179, 179A, 179B, 161, 187, 187A, Belden 9221	A4032-ND††	5.00	4.30	1-413985-1
13	Plug, Gold	Mil Type	RG 316, 188 Double Braid	A4034-ND††	8.58	7.38	413985-2
	Plug, Nickel	Mil Type	—	A4035-ND††	5.85	5.04	413985-4
13	Plug, Right Angle, Nickel	Mil Type	178, 178A, 178B, 196, 196A	A4023-ND††	6.78	5.63	414002-8
14	Plug, Right Angle, Nickel	Zinc	—	A4025-ND††	4.33	3.72	414363-9
	Plug, Right Angle, Gold	Mil Type	—	A4028-ND††	8.00	6.88	414002-1
13	Plug, Right Angle, Nickel	Mil Type	174, 316, 188, 188A, 179, 179A, 179B, 161, 187, 187A, Belden 9221	A4029-ND††	8.15	7.01	414002-3
	Plug, Right Angle, Gold	Zinc	—	A4030-ND††	4.25	3.66	414363-3
14	Plug, Right Angle, Nickel	Mil Type	—	A4033-ND††	4.20	3.62	414363-5
	Plug, Right Angle, Gold	Mil Type	RG 316, 188 Double Braid	A4036-ND††	8.05	6.93	414002-2
13	Plug, Right Angle, Nickel	Mil Type	—	A4037-ND††	7.45	6.41	414002-4
	Plug, Right Angle, Gold	Comm.	—	A24693-ND	2.82	2.43	221111-1
15	Jack, Vertical, Nickel	Mil Type	—	A4041-ND	4.33	3.72	413990-1
17	Jack, Vertical, Gold	Mil Type	—	A4042-ND	3.48	2.99	413990-2
	Jack, Vertical, Nickel	Mil Type	—	A4043-ND	8.50	7.31	413996-2
18	Jack, Right Angle, Low Profile, Gold	Mil Type	—	A24694-ND	6.28	5.40	414026-2
	Jack, Right Angle with Standoff Pads, Gold	Mil Type	—	A4044-ND	5.03	4.33	414026-3
	Jack, Right Angle with Standoff Pads, Nickel	Mil Type	—	A4045-ND	4.60	3.96	414337-1
18	Jack, Right Angle, Nickel/Tin-Lead/Zinc Die Cast	Zinc	—	A29351-ND	7.03	6.05	414963-1
	Jack, Right Angle, Gold	Mil Type	—	A4046-ND	6.15	5.29	414338-1
19	Plug, Right Angle, Gold, Nickel/Tin-Lead, Zinc Die Cast	Zinc	—	A4046-ND	6.15	5.29	414338-1
20	Receptacle, Solder Pot, Front Mount, Nickel	Mil Type	—	A24695-ND	6.08	5.23	228216-1
	Receptacle, Solder Pot, Rear Mount, Nickel	Mil Type	—	A24696-ND	5.30	4.56	228215-1
21	Bulkhead Jack Adapter (Jack-Jack), Nickel	Mil Type	—	A24697-ND	7.10	6.11	228553-1
75 Ohm							
13	Plug, Right Angle, Gold	Comm.	179, 179A, 179B, 161, 187, 187A, Belden 9221	A24704-ND†	20.38	17.53	414048-6
16	Plug, Nickel	Comm.	179, 179A, 179B, 161, 187, 187A, Belden 9221	A4040-ND†	9.18	7.90	414618-2
22	PC Board Jack, Vertical, Gold	Mil Type	—	A4047-ND	6.05	5.21	414244-1
	PC Board Jack, Vertical, Tin-Lead	Mil Type	—	A4050-ND	4.83	4.15	414244-4
23	Jack, Right Angle, Front: Nickel, Rear: Tin-Lead	Comm.	—	A24698-ND	6.48	5.57	221014-1
Tools							
Crimp Tool, 50 Ohm, Hex/Comm. with Die Set			174, 316, 188, 179, 161, 187, RG 316, 188 Double Braid	A9808-ND	134.25	—	58500-1
Crimp Tool, 50 Ohm, Hex/Comm. with Die Set			178, 196, 174, 316, 179, 161, 187, 188	A9810-ND	1492.50	—	58046-1
Pro Crimper II Hand Tool w/o Die, Use with A9968 and A9809			—	A9996-ND	66.00	—	354940-1
Die Set, Hex/Comm. use with A9996			174, 179, 187	A9809-ND	73.50	—	58489-1
Die Set, Mil Type Crimp, use with A9996			—	A9968-ND	103.50	—	58483-1

†† Uses A9996-ND PRO-CRIMPER and A9968-ND Die † Uses A9996-ND PRO-CRIMPER and A9809-ND Die

More Product Available Online: www.digikey.com

Toll-Free: 1-800-344-4539 • Phone: 218-681-6674 • Fax: 218-681-3380